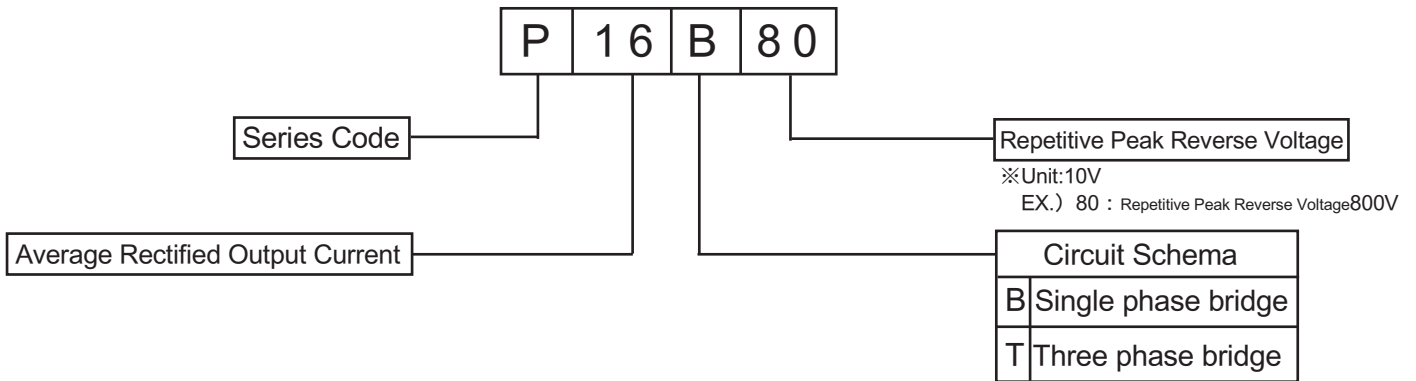


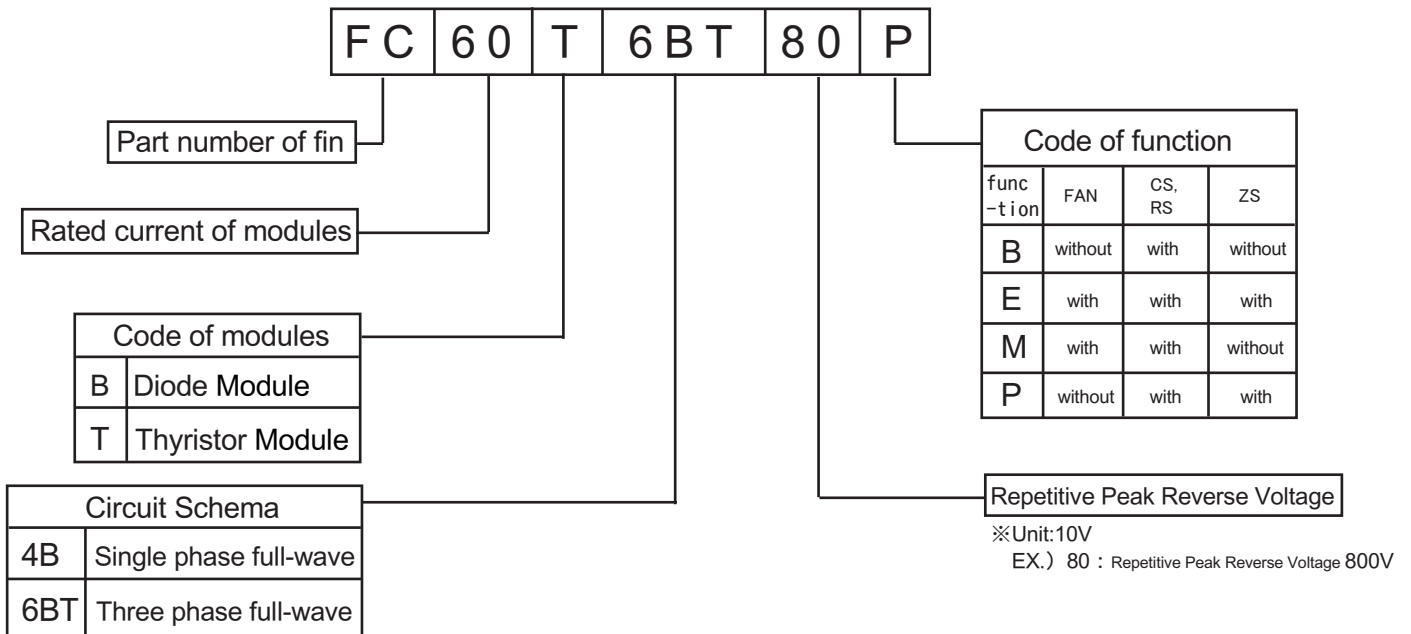


KYOCERA Part number

①P-Series Stack



②Module stack



③Flat type Stack

